

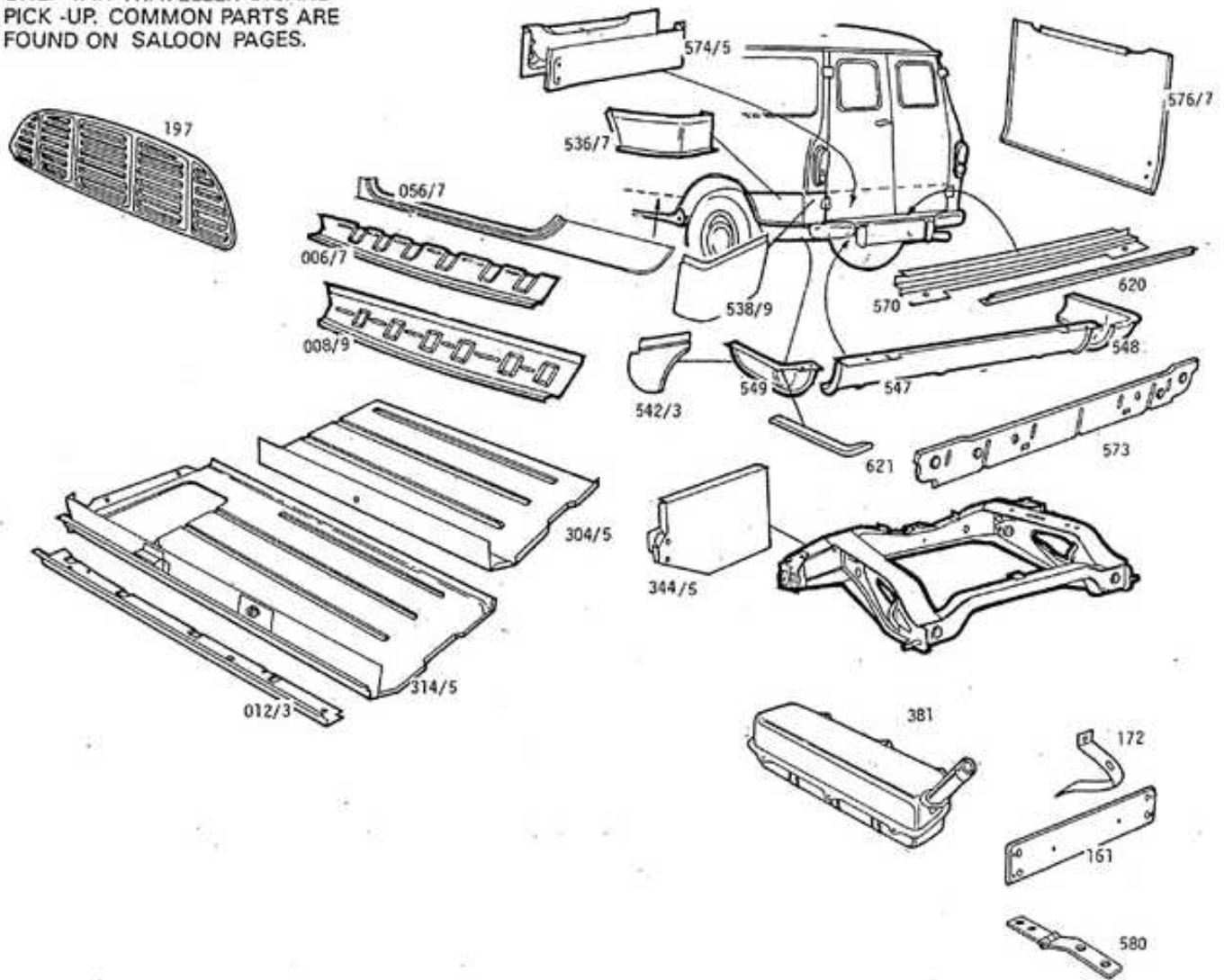
- 08 01 032/3 subframe closing panel - sal
- 036/7 subframe closing segment - sal
- 052/3 step/side panel - Mk1/2 sal
- 054/5 step/side panel - Mk3/Club sal
- 058/9 step/side panel - Clubman/trav.
- 100 bumper - chrome - front and rear
- 101 bumper - black - front/rear
- 103 bumper - grey - front/rear
- 104 bumper - stainless/s front/rear
- 160 rear No plate carrier - Mk1/2 sal
- 300/1 front floor pan
- 302/3 rear floor pan
- 308 rear suspension cap
- 310/1 rear seat corner repair - sal
- 312/3 half floor complete - Mk1/2/3 sal
- 330 rear subframe - dry > 91
- 331 rear subframe - dry 91 >
- 332 rear subframe - wet
- 338/9 rear subframe bottom repair plate
- 341 full subframe mount panel - sal/trav
- 342/3 rear subframe mount panel
- 358/9 jacking point assembly - sal
- 360 centre crossmember (seat) - > 72
- 361 centre crossmember (seat) - 72 >
- 508/9 rear wheel arch
- 518/9 rear wheel arch corner - sal
- 530/1 inner rear wheel arch
- 532/3 rear wheel arch support in boot - sal
- 534/5 lower rear corner repair - sal
- 541 rear valance - sal c/w fog lamp fitting
- 544/5 rear valance filler panel
- 546 rear valance - sal
- 550 boot lid - open frame ECON
- 551 boot lid - closed frame ECON
- 555 boot hinge panel
- 560 boot floor rear section
- 562/3 boot floor side section

- 08 01 566 battery box
- 567 spare wheel locator - in boot Mk1 sal
- 578/9 r/lamp adaptor - to fit Mk1 lamps to Mk2 or Mk3 rear wing
- 602/3 front wheel arch flare - black plastic
- 604/5 rear wheel arch flare - black plastic
- 606 wheel arch connector - black plastic
- 608 wheel arch kit - black plastic (6 pieces)
- 609 wheel arch kit - grey plastic (4 pieces)
- 610 front vertical seam cover strip
- 612/3 rear vertical seam cover strip
- 616 side trim standard chrome
- 622/3 f/wheel arch flare - grey plas
- 624/5 r/wheel arch flare - grey plas
- 644/5 rear lens compl - amber/red 70-79
- 654- f/indicator compl - in f/panel
- 676/7 rear lamp compl - 80 >
- 680/1 rear lower lens - clear 80 >
- 682/3 rear upper lens - amber/red 80 >
- 730 radiator - all models



# Mini (continued)

THE PANELS SHOWN HERE FIT ONLY VAN TRAVELLER OR/AND PICK -UP. COMMON PARTS ARE FOUND ON SALOON PAGES.



- 08 01 006/7 sill - van/trav 4-1/2" wide
- 008/9 sill - van/trav 9" wide
- 012/3 sill - Mk1/2 van/trav/pick-up (as original)
- 056/7 step/side panel - van/trav/pick-up
- 161 rear No plate carrier - van/trav Mk1/2 only
- 172 rear No plate carrier bracket - van/trav
- 197 grille - steel van/pick-up
- 304/5 rear floor panel - van/trav/p-up
- 314/5 half floor compl - van/trav/p-up
- 344/5 subframe mounting panel end - van/p-up
- 381 petrol tank - 80-90 est/van/p-up
- 536/7 upper rear corner - van/trav
- 538/9 rear corner (below tail lamp) - p-up
- 542/3 rear valance filler panel - van/trav
- 547 rear valance centre - van/trav
- 548/9 rear corner valance - van/trav
- 570 rear doorstep - van/trav
- 573 inner rear valance - van/trav/pick-up
- 574/5 rear door bottom - van/trav
- 576/7 rear doorskin - van/est
- 580 tailgate hinge - pick-up
- 620 seam below rear doors - van/trav
- 621 rear corner seam cover - van/trav
- 636 number plate lamp - van 79 >



# Austin

## Mini

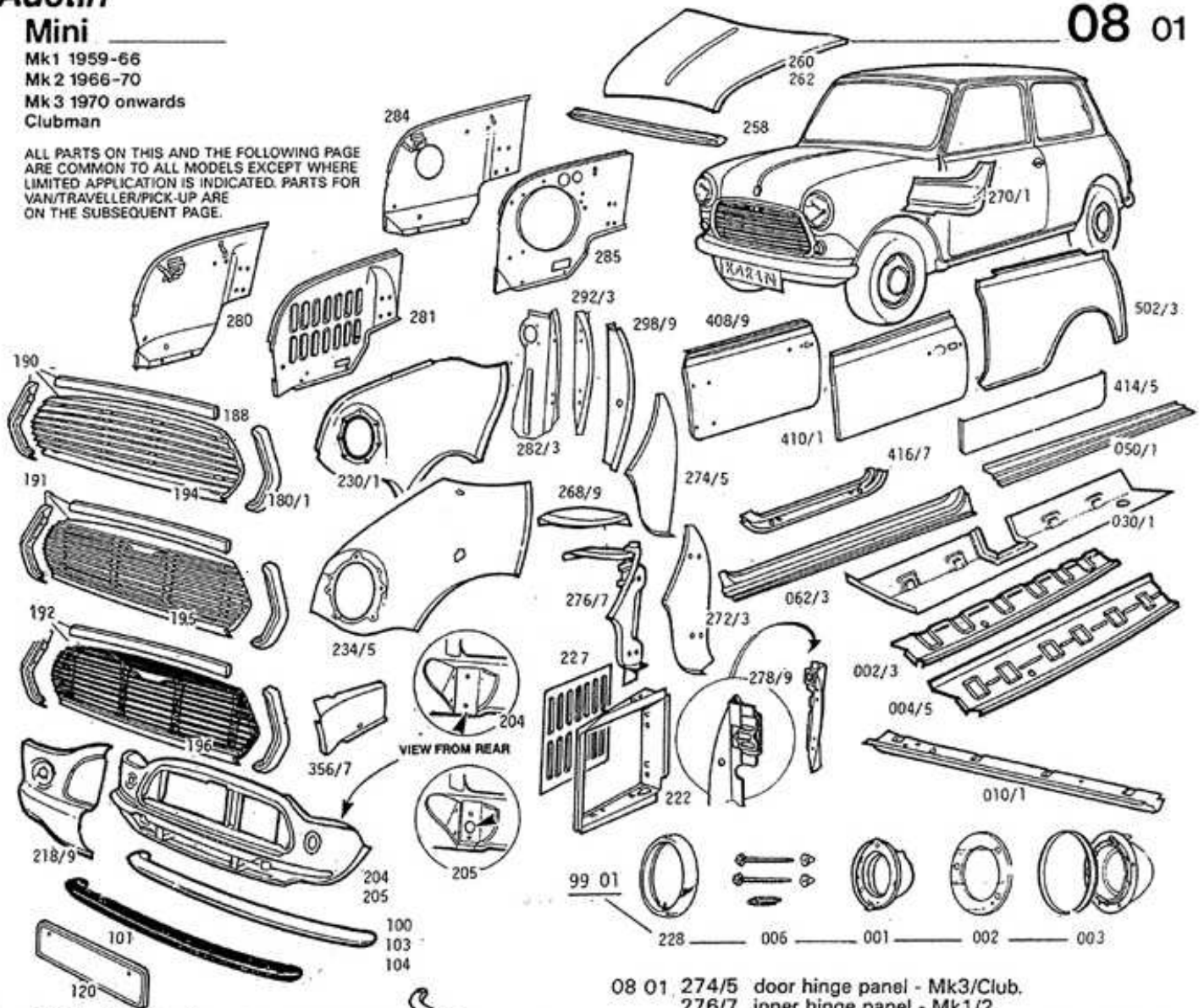
Mk1 1959-66

Mk2 1966-70

Mk3 1970 onwards

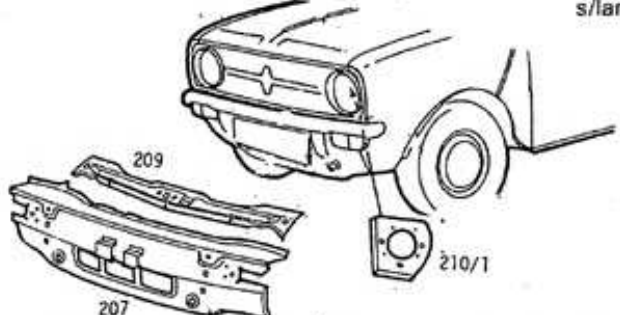
Clubman

ALL PARTS ON THIS AND THE FOLLOWING PAGE ARE COMMON TO ALL MODELS EXCEPT WHERE LIMITED APPLICATION IS INDICATED. PARTS FOR VAN/TRAVELLER/PICK-UP ARE ON THE SUBSEQUENT PAGE.



- 08 01 002/3 sill - saloon 4-1/2" wide
- 004/5 sill - saloon 9" wide
- 010/1 sill - as original Mk1/2 sal
- 030/1 interior sill
- 050/1 door step - plain
- 062/3 door step - shaped
- 100 bumper - chrome - front/rear
- 101 bumper - black - front/rear
- 103 bumper - grey - front and rear
- 104 bumper - stainless/s - front/rear
- 110 front bumper mounting panel Mk1/2/3
- 120 front No plate carrier - Mk1/2
- 180/1 grille - end sect chromè
- 188 grille top rail - chrome
- 190 grille - Morris - 8 bars c/w top rail & end sects.
- 191 grille - Mk2/3 chrome 11 bars c/w top rail & end sects
- 192 grille - black 11 bars c/w top rail & end sects.
- 194 grille centre - 8 bars Cooper
- 195 grille centre - chrome 11 bars Mk2/3
- 196 grille centre - black 11 bars Mk2/3
- 204 front panel - compl. > 5/76
- 205 front panel - compl. 76 >
- 207 front panel - Clubman
- 209 bonnet slam panel - Clubman
- 210/1 headlamp panel - Clubman
- 218/9 front panel corner section
- 222 radiator cowl - Mk1/2/3
- 227 inner f/wing vent panel LH - Mk1/2/3
- 230/1 front wing
- 234/5 front wing - c/w SRI 11/85 >
- 258 bonnet moulding support
- 260 bonnet ECON
- 262 bonnet - c/w moulding supp 70 > ECON
- 268/9 under scuttle panel - Mk3/Club
- 270/1 scuttle repair section
- 272/3 door hinge panel - Mk1/2

- 08 01 274/5 door hinge panel - Mk3/Club.
  - 276/7 inner hinge panel - Mk1/2
  - 278/9 inner hinge panel - c/w strap bracket Mk3/Club
  - 280 half inner front wing RH - > 70 not Clubman
  - 281 half inner front wing LH - > 90
  - 282/3 inner front wing - rear edge
  - 284 half inner front wing - 70 > RH
  - 285 half inner front wing - 91 > LH
  - 292/3 inner hinge panel cover - Mk3/Club.
  - 298/9 door jamb panel - c/w switch hole Mk1
  - 356/7 inner front wing f/corner tie plate
  - 408/9 door skin Mk1/2
  - 410/1 door skin - Mk3/Clubman
  - 414/5 lower door skin - Mk3
  - 416/7 door frame bottom Mk1/2
  - 502/3 rear wing - Mk 2/3 Clubman
- 
- 99 01 001 headlamp bowl - standard steel
  - 002 headlamp ring - 7" standard steel
  - 003 headlamp bowl - plastic 7" c/w ring
  - 006 headlamp bowl fitting kit
  - 228 headlamp outer bezel - chrome 7"
  - 660 headlamp unit - 7" round
  - 666 h/lamp - sld beam 7" std c/w s/lamp window



\* Will fit van but designed for grilles 190, 191 & 192